



www.Source1Parts.com

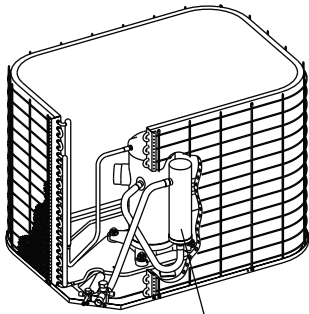
HVAC SERVICE PARTS

# AC SERIES - 12 SEER - X3 SPLIT AIR CONDITIONER

Supersedes:035-15826-002 Rev. H (0603)

035-15826-002 Rev. I (0903)

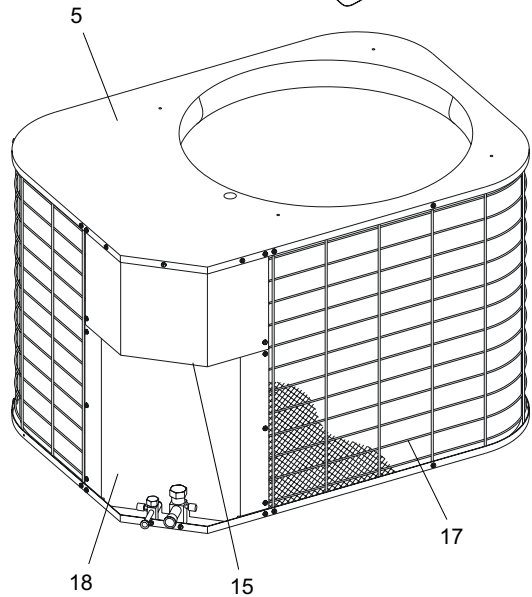
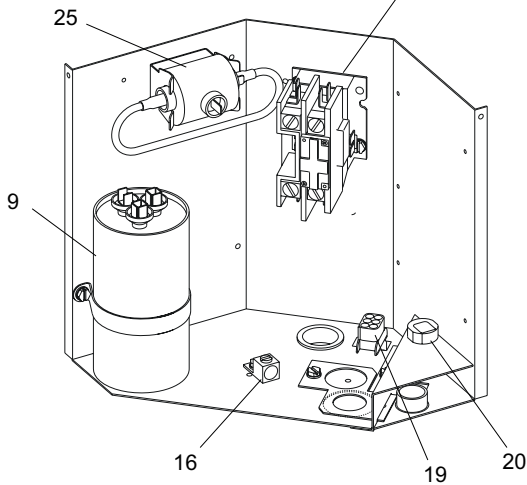
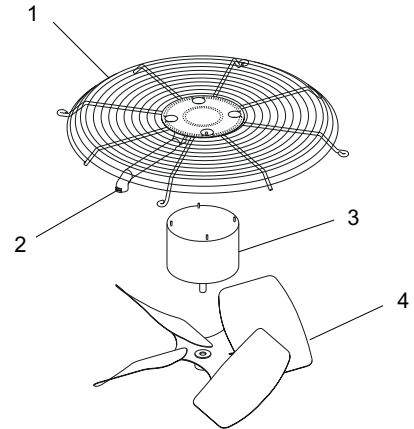
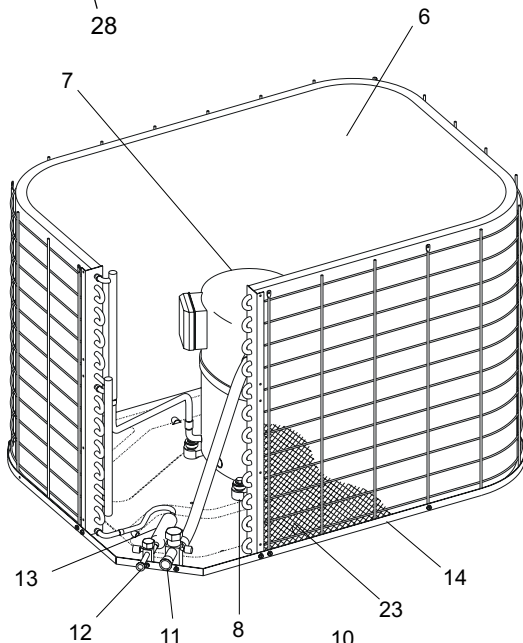
1 of 4



042B only

AC018X1222A  
AC024X1222A  
AC030X1222A  
AC036X1222A

AC042X1221A & B  
AC048X1222A  
AC060X1222A  
AC060X1223A



**Models 18, 24, 30, and 36**

ITEM	DESCRIPTION	AC018X1222A	AC024X1222A	AC030X1222A	AC036X1222A
1	Fan Guard	026-35511-018	026-35511-018	026-35511-022	026-35511-022
2	Wireway	028-13215-000	028-13215-000	028-13216-000	028-13216-000
3	Fan Motor	024-26067-010	024-26067-010	024-26029-000	024-27596-000
4	Fan Blade 18" Diameter Fan Blade 22" Diameter	026-34091-000 ---	026-34091-000 ---	--- 026-34097-000	--- 026-34593-000
5	Top	2218-1021/A	2218-1021/A	2260-1021/A	2260-1021/A
6	Outdoor Coil Assembly	373-19800-003	373-19800-003	373-19800-004	373-19800-004
7	Compressor	015-03426-004	015-02748-004	015-03432-004	015-03424-001
8	Compressor Mount (Pkg. of 4)	9435-1081	9435-1081	9435-1081	9435-1081
9	Dual Capacitor (30/5 MFD) Dual Capacitor (35/5 MFD) Dual Capacitor (45/5 MFD)	024-24778-000 --- ---	024-24778-000 --- ---	--- 024-23998-000 ---	--- --- 024-25895-000
10	Contact (30 amp)	024-27531-000	024-27531-000	024-27531-000	024-27531-000
11	Base Valve 3/4"	025-31900-000	025-31900-000	025-31900-000	025-31900-000
12	Base Valve 3/8"	025-31899-000	025-31899-000	025-31899-000	025-31899-000
13	Filter Drier	029-22156-000	029-22156-000	029-22156-000	029-22156-000
14	Base Pan	2218-1011	2218-1011	2260-1011	2260-1011
15	Control Box Cover	2218-1151/A	2218-1151/A	2218-1151/A	2218-1151/A
16	Ground Lug	025-21798-000	025-21798-000	025-21798-000	025-21798-000
17	Coil Guard	<b>373-20091-009</b>	<b>373-20091-009</b>	<b>373-20091-010</b>	<b>373-20091-010</b>
18	Blockoff Plate	2242-1081/B	2242-1081/B	2248-1081/B	2248-1081/B
19	6 Position Plug	025-33306-006	025-33306-006	025-33306-006	025-33306-006
20	Strain Relief	025-09687-000	025-09687-000	025-09687-000	025-09687-000
21					
22					
23	Coil Guard, Plastic Mesh	028-14727-000	028-14727-000	028-14728-000	028-14728-000
24					
25	Start Device, Solid State	---	---	---	---
26					
27*	Kit, Motor Mounting (Acorn Nuts)	363-90117-000	363-90117-000	363-90117-000	363-90117-000

&lt;

**NOTE:** \*Not ShownNew replacement parts shown in **bold** face type at the first printing of parts list dated 9/03.

Major components and suggested stocking items are shown with shaded item number.

"←" Across from row indicates a change in that row.

--- Not applicable to specified model.



**Models 42, 48, and 60**

ITEM	DESCRIPTION	AC042X1221A	AC042X1221B	AC048X1222A	AC060X1222A	AC060X1223A
1	Fan Guard	026-35511-022	026-35511-022	026-35511-022	026-35511-022	026-35511-022
2	Wireway	028-13216-000	028-13216-000	028-13216-000	028-13216-000	028-13216-000
3	Fan Motor	024-27596-000	024-27596-000	024-27596-000	024-27596-000	024-27596-000
4	Fan Blade 22" Diameter	026-34593-000	026-34593-000	026-34593-000	026-34094-000	026-34094-000
5	Top	2260-1021/A	2260-1021/A	2260-1021/A	2260-1021/A	2260-1021/A
6	Outdoor Coil Assembly	373-19800-005	373-19800-005	373-19800-019	373-19800-020	373-19800-006
7	Compressor	015-03132-004	015-03132-004	015-03297-004	015-02968-004	015-02620-004
8	Compressor Mount (Pkg. of 4) Compressor Mount (4 req'd.)	---	---	9435-1081 ---	---	---
9	Dual Capacitor (40/5 MFD) Dual Capacitor (45/5 MFD) Dual Capacitor (80/5 MFD)	024-25894-000 --- ---	024-25894-000 --- ---	--- 024-25895-000 ---	--- --- 024-26037-000	--- --- 024-26037-000
10	Contactors (30 amp) Contactors (40 amp)	024-27531-000 ---	024-27531-000 ---	024-27531-000 ---	--- 024-25837-000	--- 024-25837-000
11	Base Valve 7/8"	025-31901-000	025-31901-000	025-31901-000	025-31901-000	025-31901-000
12	Base Valve 3/8"	025-31899-000	025-31899-000	025-31899-000	025-31899-000	025-31899-000
13	Filter Drier	029-22157-000	029-22157-000	029-22157-000	029-22157-000	029-22157-000
14	Base Pan	2260-1011	2260-1011	2260-1011	2260-1011	2260-1011
15	Control Box Cover	2218-1151/A	2218-1151/A	2218-1151/A	2218-1151/A	2218-1151/A
16	Ground Lug	025-21798-000	025-21798-000	025-21798-000	025-21798-000	025-21798-000
17	Coil Guard	<b>373-20091-011</b>	<b>373-20091-011</b>	<b>373-20091-012</b>	<b>373-20091-013</b>	<b>373-20091-013</b>
18	Blockoff Plate	2260-1081/B	2260-1081/B	3948-1081/B	2660-1081/B	2660-1081/B
19	6 Position Plug	025-33306-006	025-33306-006	025-33306-006	025-33306-006	025-33306-006
20	Strain Relief	025-09687-000	025-09687-000	025-09687-000	025-09687-000	025-09687-000
21						
22						
23	Coil Guard, Plastic Mesh	028-14730-000	028-14730-000	028-14731-000	028-14733-000	028-14733-000
24						
25	Start Device, Solid State	---	---	024-20867-002	---	---
26*	Blanket, Compressor	---	---	010-06662-000	---	---
27*	Kit, Motor Mounting (Acorn Nuts)	363-90117-000	363-90117-000	363-90117-000	363-90117-000	363-90117-000
28	Tank, Accumulator	---	026-34090-0000	---	---	---

**NOTE:** \*Not ShownNew replacement parts shown in **bold** face type at the first printing of parts list dated 9/03.

Major components and suggested stocking items are shown with shaded item number.

"←" Across from row indicates a change in that row.

--- Not applicable to specified model.

<b>Field Installed Accessories - Non-Electrical</b>		
<b>Part Number</b>	<b>Description</b>	<b>Used With</b>
026-32621-000	Compressor Blanket Kit	018, 024, 036
026-34627-001	Compressor Blanket Kit	030
026-34627-002	Compressor Blanket Kit	042
<b>Field Installed Accessories - Electrical</b>		
<b>Part Number</b>	<b>Description</b>	<b>Used With</b>
2ET07700224	Thermostat, Programmable, Electronic	Cool/Heat
2ET07700324	Thermostat, Programmable, Electronic	Cool/Heat
2HU06700124	Dehumidification Control	NVS Models
2LA06700224	Low Ambient Kit	All Model
2PS06701606	Refrigerant Safety Kit	All Model
2SA06702306	Hard Start Kit	018
2SA06706206	Hard Start Kit	024
2SA06703706	Hard Start Kit	030
2SA06702006	Hard Start Kit	036
2SA06714206	Hard Start Kit	042
2SA06702406	Hard Start Kit	048
2SA06706006	Hard Start Kit	060
2TB08700124	Subbase, - 1 Cool	2TH13700424
2TB17700324	Subbase, - 1 Cool - 1 Heat	2TH13700424
2TD06700124	Thermostat, Outdoor	Provides Additional Staging
2TH07700124	Thermostat, Manual 1 Heat - 1 Cool	Cool/ Heat
2TH13700424	Thermostat, Manual	Heat Only

**TO ORDER AUTHORIZED FACTORY REPLACEMENT PARTS** - Contact your Source1 HVAC Parts Distributor or visit our website at [www.Source1Parts.com](http://www.Source1Parts.com) for a Distributor and Dealer listing.